

Model 1115 Synchronized Multi-Port Sampler

Rev 041514



Four-port
High Flow
Manifold
shown

The **Tekran® Model 1115 Synchronized Multi-Port Sampling System** allows the **Model 2537** Mercury Vapor Analyzer to sample up to eight separate input sources. Switching between the two sources is synchronized with the instrument sampling cycle. The number of sampling cycles in each position is user programmable.

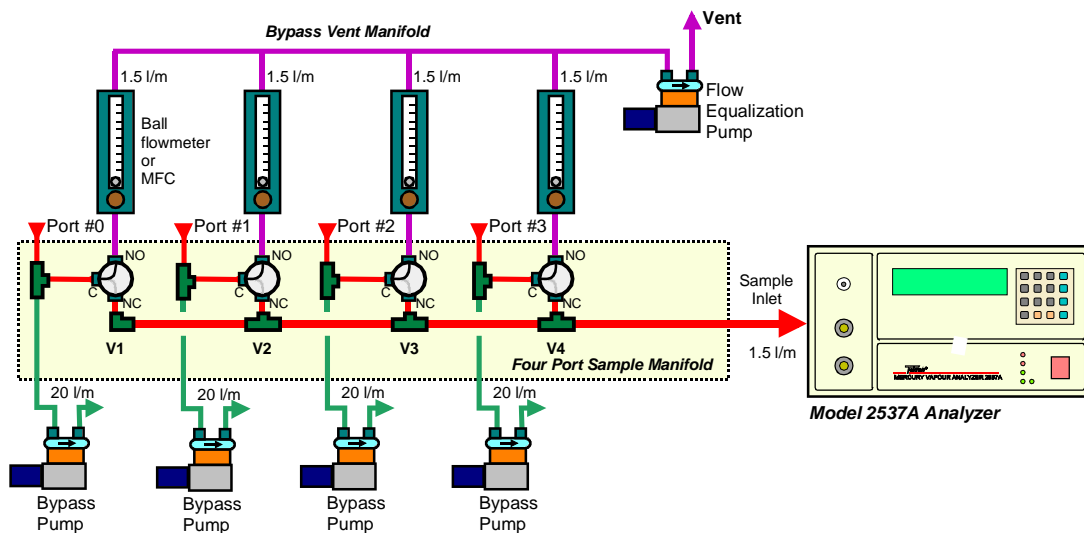
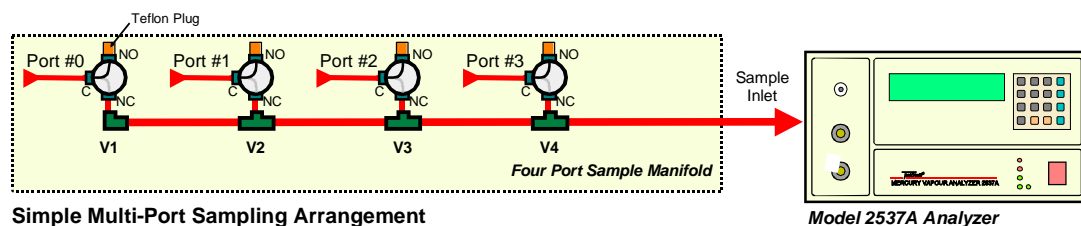
Instrument Features

- Either manual or automatic selection among up to eight sample input lines
- Sample switching is synchronized to instrument sampling cycle
- Fully programmable switching pattern. For example, pairs of readings in each position may be sampled, eliminating any A/B cartridge bias
- Either the home port (**Port #0**) or the Model 2537 **ZERO** solenoid may be designated for flushing between samples
- Positive indication of sampling position on Model 2537 data output line
- Continuous display of instrument conditions: Idle/Cal/Run, A/B, Zero Solenoid, Perm Source
- Manual control of instrument Zero and Perm Source, and Calibration Initiate functions
- Manual setting of three instrument Event Flag inputs
- Four, six or eight port manifolds available
- High-flow manifolds have large orifice Teflon® valves with ¼" Quikgrip® fittings
- Low-flow manifolds have miniature Teflon® valves with ¼-28 fittings
- All Teflon® sampling path

Applications

- Flux measurement
- Multiple stream process monitoring
- Speciation studies

Typical Flow Diagrams



Additional Functions

The **Model 1115** allows manual activation of the following functions at any time using the controller keypad.

- Event Flags 1, 2 & 3
- Calibrate Request
- Zero Solenoid & Perm Source
- Manual control of the Port Selection Solenoids

Manifold Options

The **Model 1115** controller includes the following standard components.

- Control Unit
- Instrument Interface Cable (10 ft)
- Power Adaptor
- User Manual

One of the valve manifolds below must be specified along with the controller in order to make a complete sampler. High-flow manifolds contain 1/4" fittings and are ideal for low-level ambient work where flow rates may be up to a few liters/minute. Low-flow manifolds have minimal dead volume and use 1/8" tubing with miniature valves having 1/4-28 fittings. They are suitable for flow rates of up to 500 ml/min. Each manifold is supplied with a 10 ft. long cable for connection to the controller.

- **Opt. 104** Four Port high-flow rate manifold
- **Opt. 106** Six Port high-flow rate manifold
- **Opt. 108** Eight Port high-flow rate manifold
- **Opt. 204** Four Port low-flow rate manifold
- **Opt. 206** Six Port low-flow rate manifold
- **Opt. 208** Eight Port low-flow rate manifold